

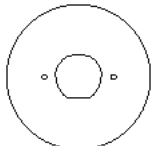

Date: Tue, 21 Jan 2014

Quote #: 106

**To:** Microkerf Ltd.  
**Attention:** David Gattward  
**Email:** david@microkerf.com

It is with pleasure that we provide this quotation for your deliberation. If you have any questions, please feel free to contact us.

<b>Created By:</b> David Gattward	<b>Valid Till:</b> Mon, 10 Feb 2014
<b>Created:</b> Fri, 19 Jun 2009 20:58	<b>Delivery Days:</b> 4
<b>Process:</b> Laser	
<b>Deliver To:</b> Microkerf Ltd. 1 Coal Cart Road Birstall Industrial Estate Leicester Leicestershire LE4 3BY	
<b>Notes:</b>	

Line	Description	Material	Thickness	Qty	Each	Total
1	dem08	Aluminium-5251H22	3.00	140	1 = £0.93 *140 = £0.69 269 = £0.65 1077 ≥ £0.58	£96.60
						
2	dem04	Stainless-3042B	2.00	30	1 = £2.90 *30 = £2.34 110 = £2.11 398 ≥ £1.94	£70.20
						

(This quote is prepared on the basis that Microkerf Ltd. will supply ALL materials required to produce these parts)

Item Total:	£166.80
Freight - 1 x TNT Express	£20.00
<b>Total (ex VAT)</b>	<b>£186.80</b>
VAT	£37.36
<b>Total</b>	<b>£224.16</b>

**Notes**

\* Selected price point for required quantity

Thank you for the opportunity of quoting for your work. We look forward to providing you with our services.

Due to fluctuating material prices, we will only hold the price on this quote up to the "Valid until" date specified in the header. If an order is placed after this date, we will review the price. Unless otherwise stated, all prices are exclusive of VAT. Our standard cutting tolerances are +/- 0.2mm. Every effort will be made to achieve the quoted delivery time, however we cannot guarantee this. Radiusing of 0.5mm on thinner materials and up to 3mm on thicker materials will be applied to sharp corners (internal & external) unless requested otherwise.

**Microkerf Ltd.**

1 Coal Cart Road, Birstall Industrial Estate, Leicester, Leicestershire LE4 3BY  
 Tel:0116 267 1408 Fax:0116 267 1409 Email:sales@microkerf.com